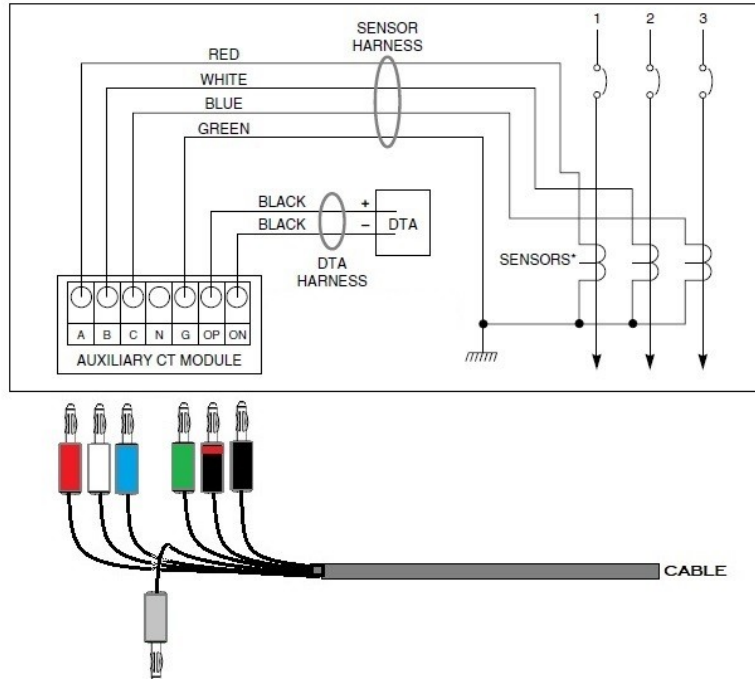


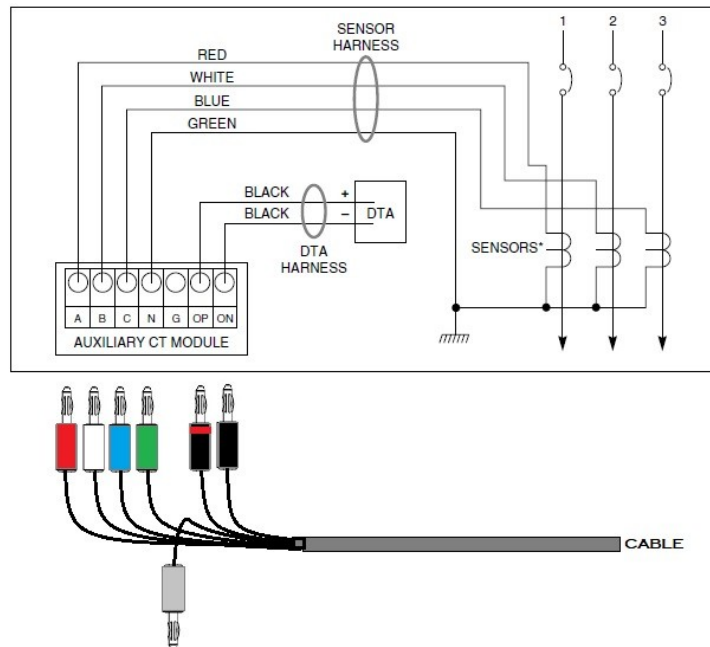
DMR5i1 Retrofit Cable Connection Diagrams for various wiring schemes

(connections to the aux CT Terminal Block using the banana to spade adapters)

With Ground, Without Neutral Connection 3Ø 3-Wire (LIG, LSG, LSIG)



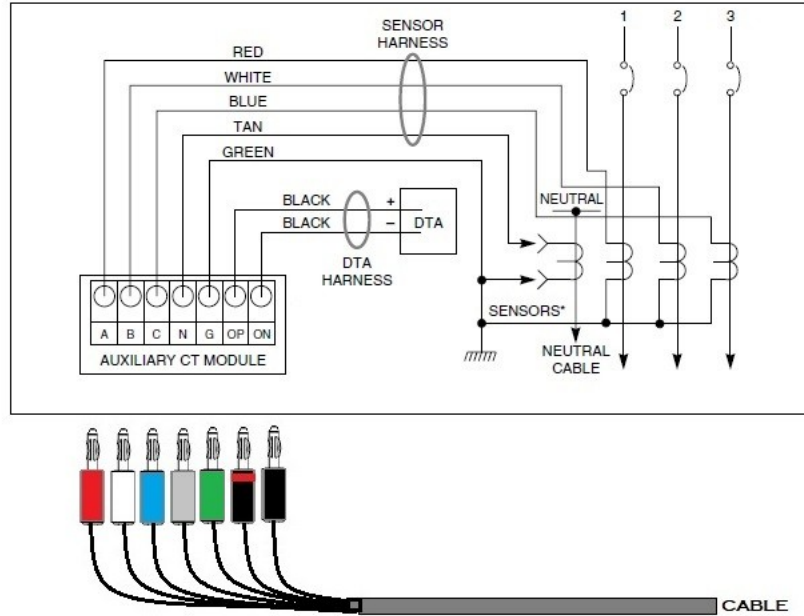
Without Ground 3Ø 3-Wire (LI, LS, LSI)



DMR5i1 Retrofit Cable Connection Diagrams for various wiring schemes

(connections to the aux CT Terminal Block using the banana to spade adapters)

With Ground and With Neutral Sensor 3Ø 4-Wire (LIG, LSG, LSIG)



With Ground, Without Neutral Connection 3Ø 3-Wire (LIG, LSG, LSIG)

